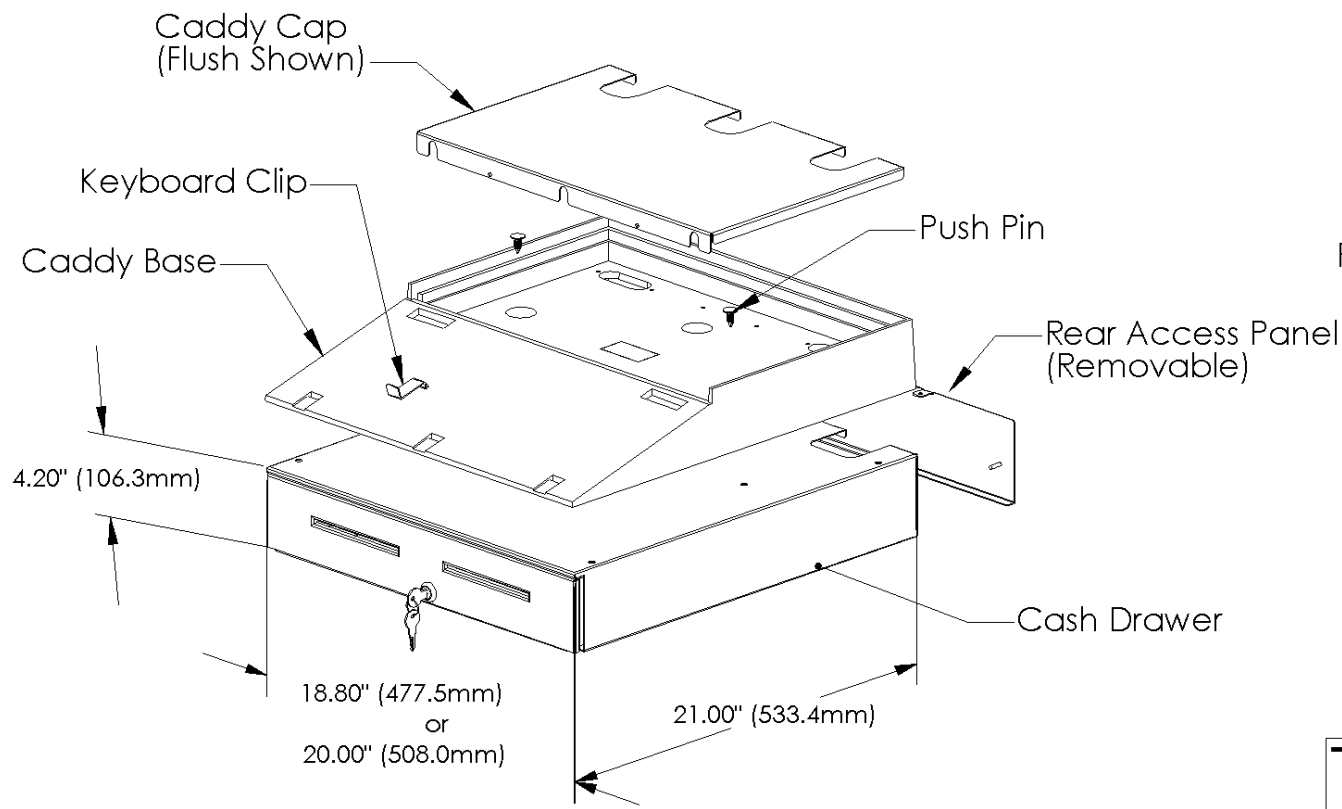
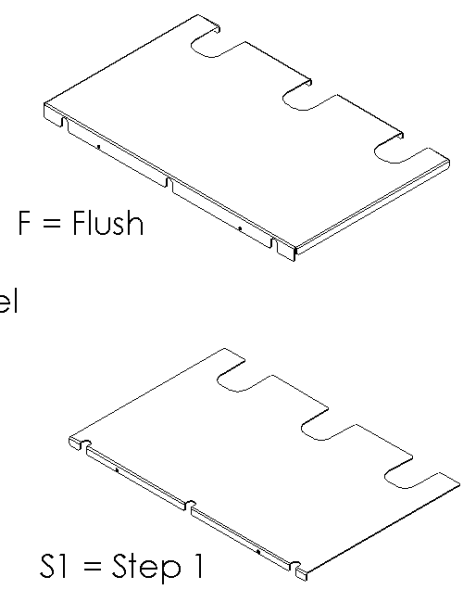


Product	Part Number		Includes
	18.8 x 21 Size	20 x 21 Size	
Caddy System	INTxxx-yy18821-C-zz	INTxxx-yy2021-C-zz	Cash Drawer, Base, Cap, Clips, Push Pins
Caddy Kit	RK-yy18821-zz	RK-yy2021-zz	Base, Cap, Clips, Push Pins
Caddy Cap Kit	RC-yy18821-zz	RC-yy2021-zz	Cap, Clips, Push Pins
Caddy Base Kit	RB-yy18821	RB-yy2022	Base, Clips, Push Pins
Push Pin Kit	PK-34C-175PIP1		3 Push Pins
Clip Kit	PK-KB-01		3 Keyboard Clips
	xxx = Drawer Interface		
	yy = Color BL (Black) or CW (Cloud White)		
	zz = Caddy Cap style F (flush) or S1 (step 1)		



Caddy Cap Styles



Series 4000 Cash Drawer Caddy™ System

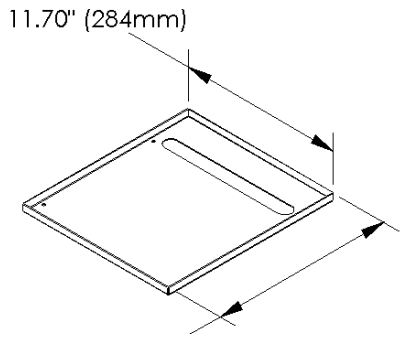
APG® Cash Drawer
Cash Drawer Caddy™ System

For more information call
(763) 571-5000 fax (763) 571-5771
www.apgcd.com

©COPYRIGHT 2000

DRAWING NO: PKD-0016B PG 1 of 2 DATE: 12/04/02

REV	B
-----	---

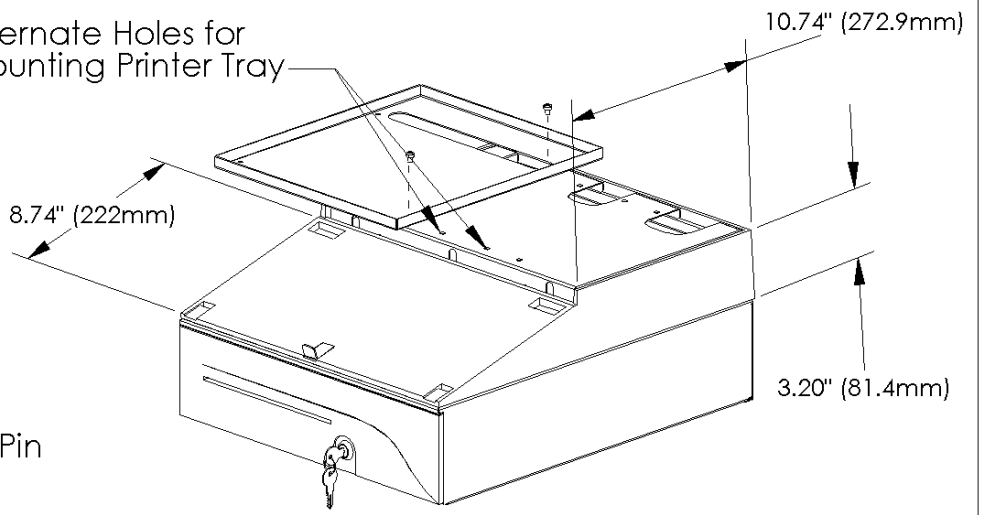


12.70" (322.1mm)

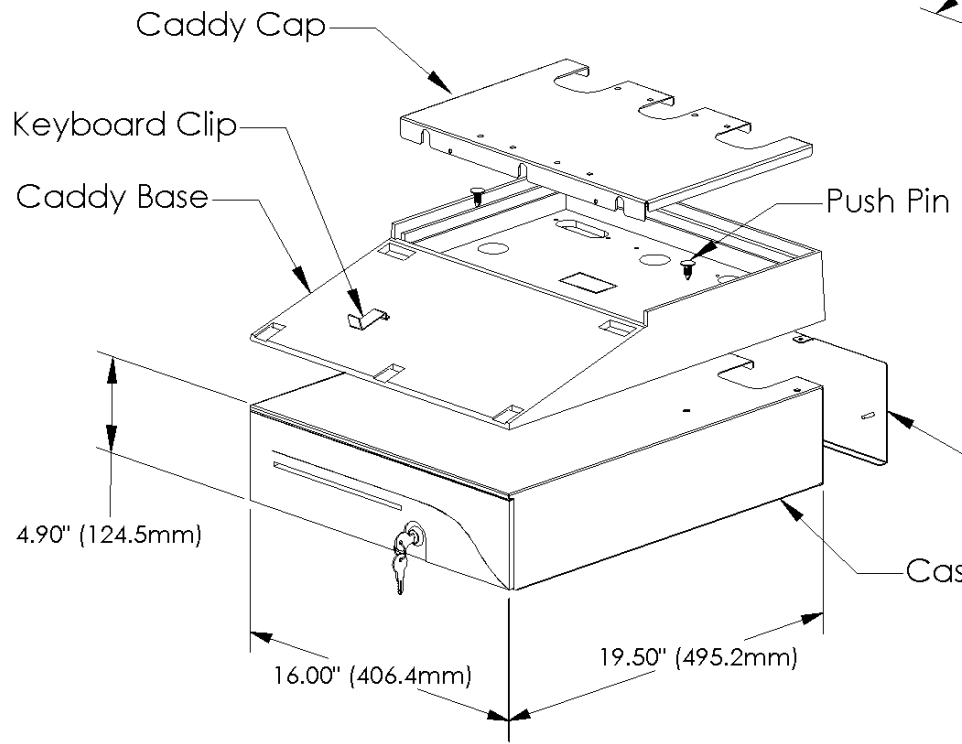
Printer Tray
(Optional)

Product	16 x 19.5 Size	Part Number	Includes
Caddy System	INTxxx-yy16195-F		Cash Drawer, Base, Cap, Clips, Push Pins
Caddy Kit	RK-yy16195-F		Base, Cap, Clips, Push Pins
Caddy Cap Kit	RC-yy16195-F		Cap, Clips, Push Pins
Caddy Base Kit	RB-yy16195		Base, Clips, Push Pins
Printer Tray (Optional)	PK-34-T-yy		Tray, mounting screws
Push Pin Kit	PK-34C-175PIP1		3 Push Pins
Clip Kit	PK-KB-01		3 Keyboard Clips
		xxx = Drawer Interface	
		yy = Color BL (Black) or CW (Cloud White)	
		F = Caddy Cap style (flush only)	

Alternate Holes for
mounting Printer Tray



Series 100 Cash Drawer Caddy™ System
(Shown with optional Printer Tray installed)



4.90" (124.5mm)

16.00" (406.4mm)

19.50" (495.2mm)

Rear Access Panel
(Removable)

Cash Drawer

Series 100 Cash Drawer Caddy™ System

APG® Cash Drawer
Cash Drawer Caddy™ System

For more information call
(763) 571-5000 fax (763) 571-5771
www.apgcd.com

©COPYRIGHT 2000

DRAWING NO: PKD-0016B PG 2 OF 2

DATE: 12/04/02

REV
B